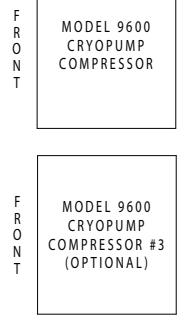
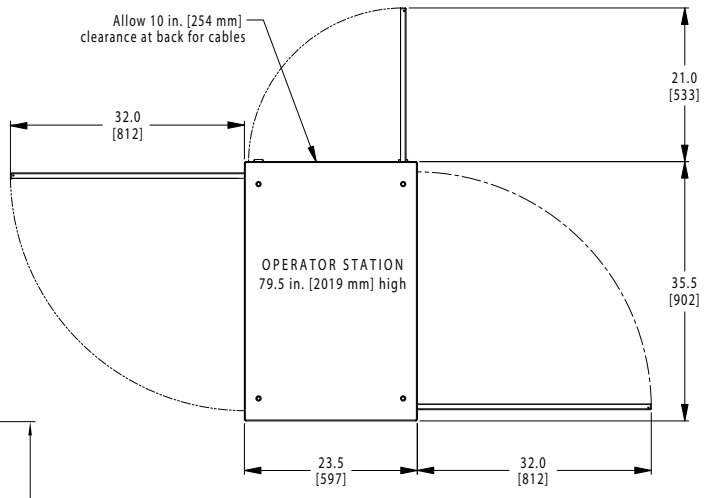
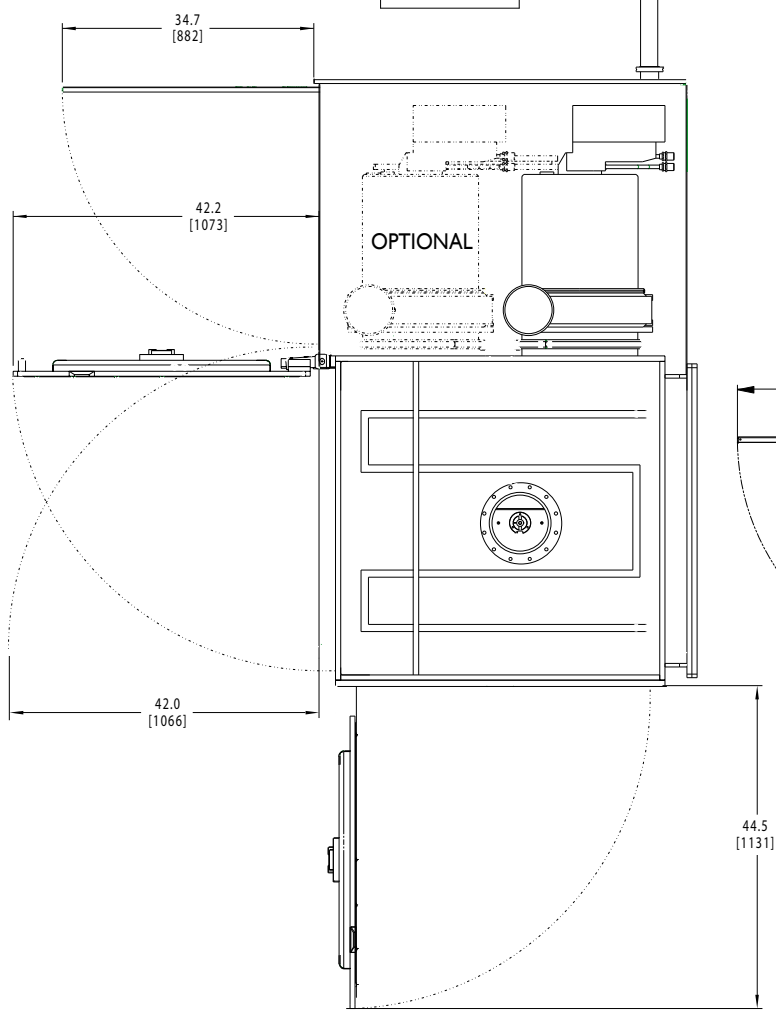


NOTE: In some facilities, the mechanical pump and the cryopump compressors may be installed on a sub-fab level. If the Simba 2 power supply is used, its power module may also be installed there.



Standard roughing line:
40 in. [1016 mm] x 2.5 in. [63 mm] O.D. flex line

Units: Inches [Millimeters]



Temescal

©Ferrotec (USA) Corporation. All rights reserved.
www.temescal.net